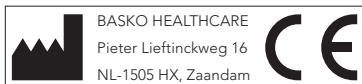


FreeMotion

Companion Joint



Instructions for use



Basko Healthcare

Pieter Lief tinckweg 16
NL-1505 HX Zaandam
Phone: +31 (0) 75 - 613 15 13
Fax: +31 (0) 75 - 612 63 73
E-mail: sales@basko.com
Internet: www.basko.com

IFU-FM / Stand: 07/2021

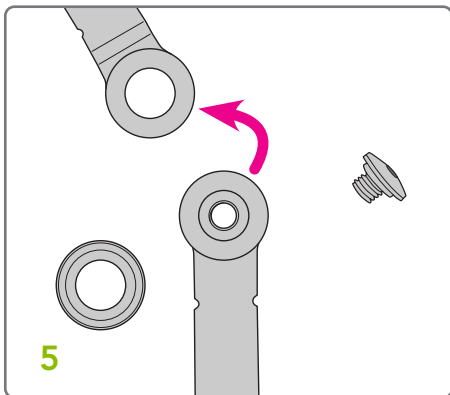
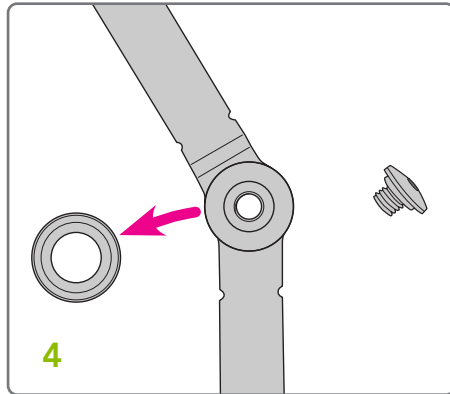
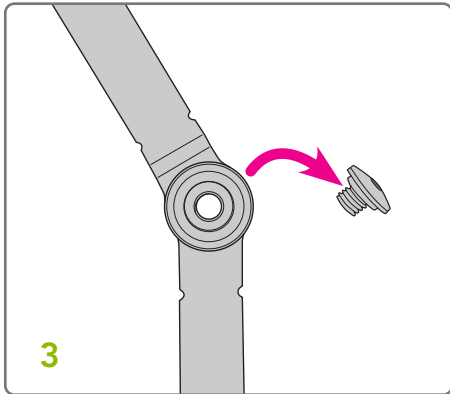
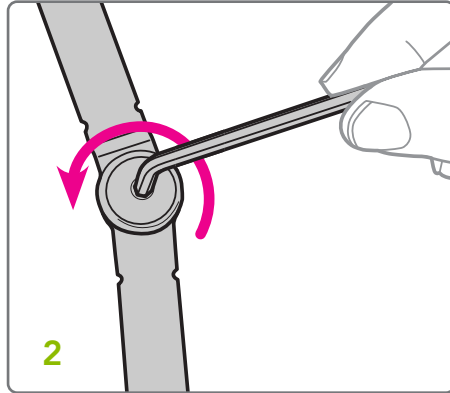
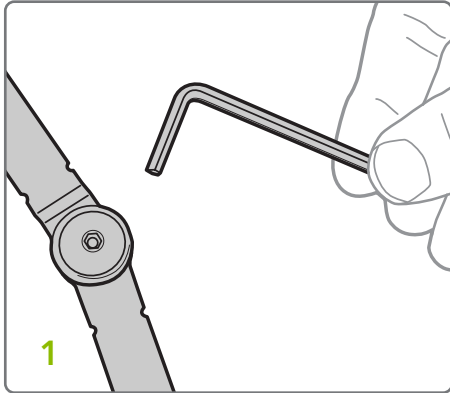
Basko

Healthcare

basko.com

FreeMotion Companion Joint

Disassembly instructions



Assembly instructions

